

Corduroy
by Don Freeman

1. Run copies on cardstock (index paper or tagboard).
2. Color pieces with markers, color pencils (may not be as bright), pastels, or paint, (crayons may melt when laminated).
3. When putting two large pieces together, use a glue stick to prevent pieces from wrinkling when laminating.
4. Laminate story objects. You may cut pieces before or after laminating.
5. Attach Velcro dots or pieces to back of each object.

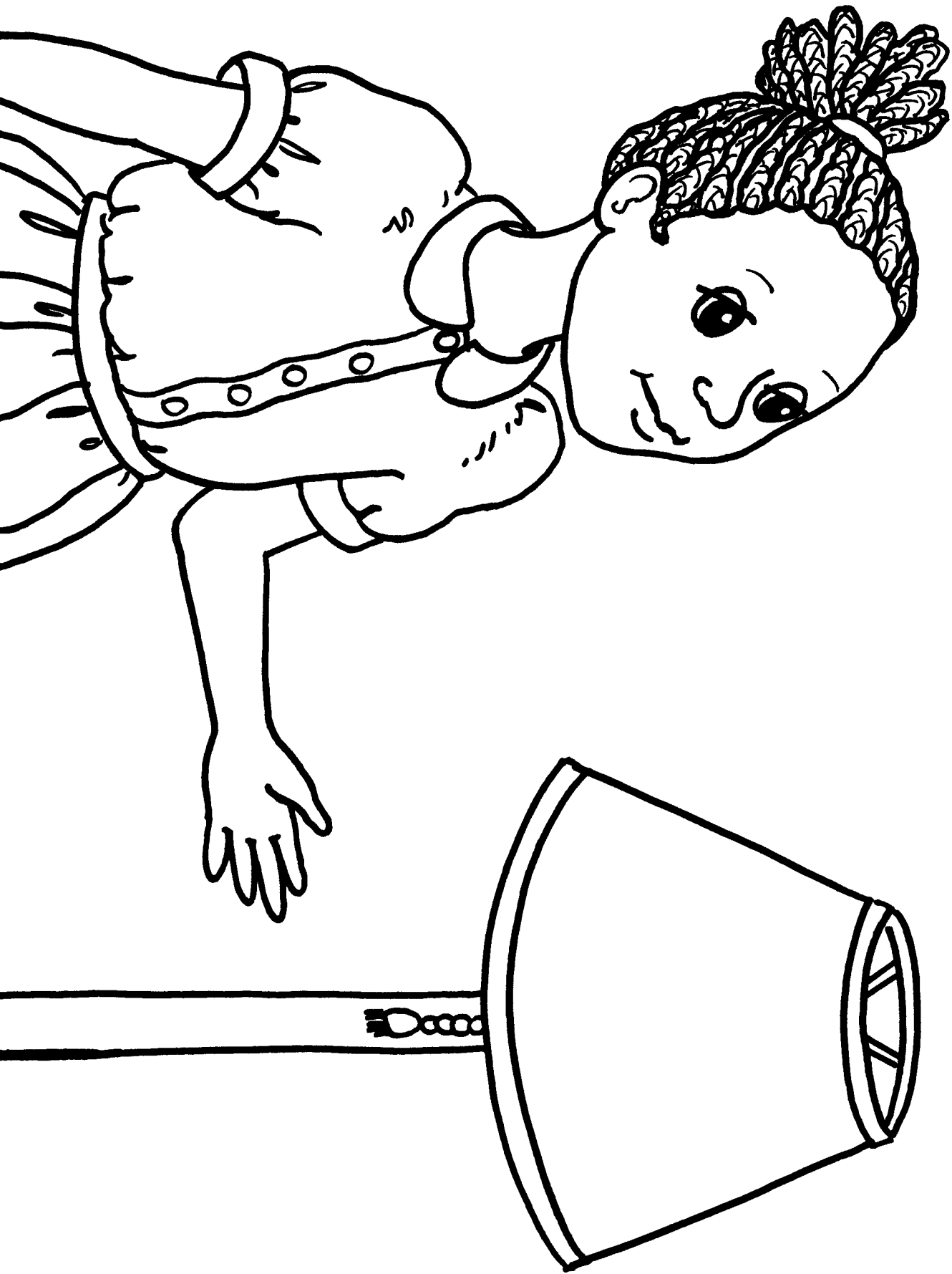
Tip: Make an outline story card to use when telling the story.

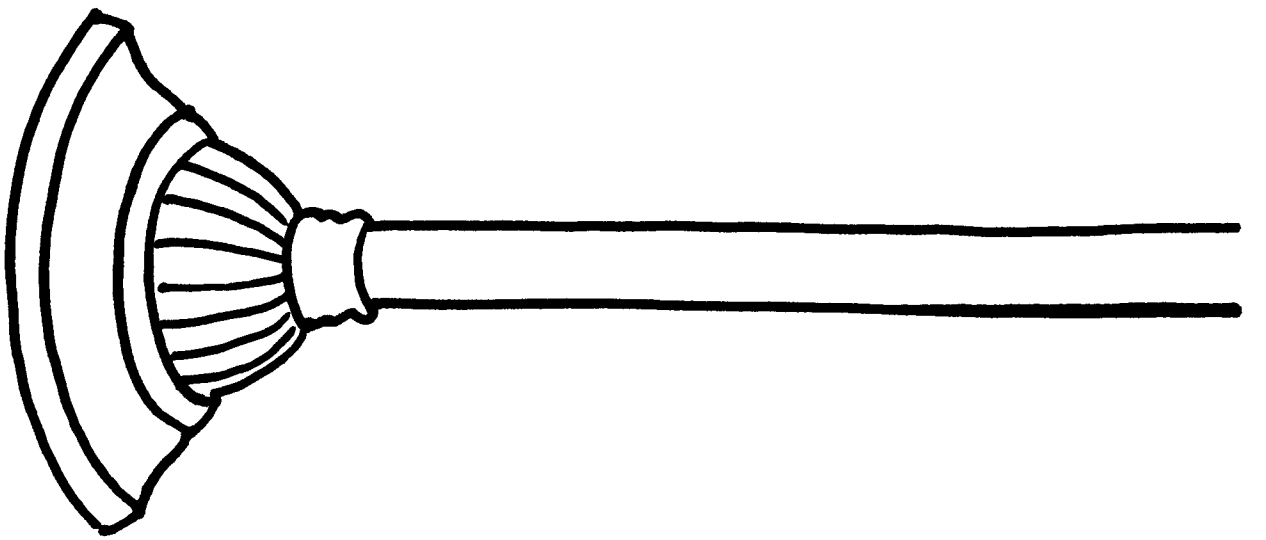
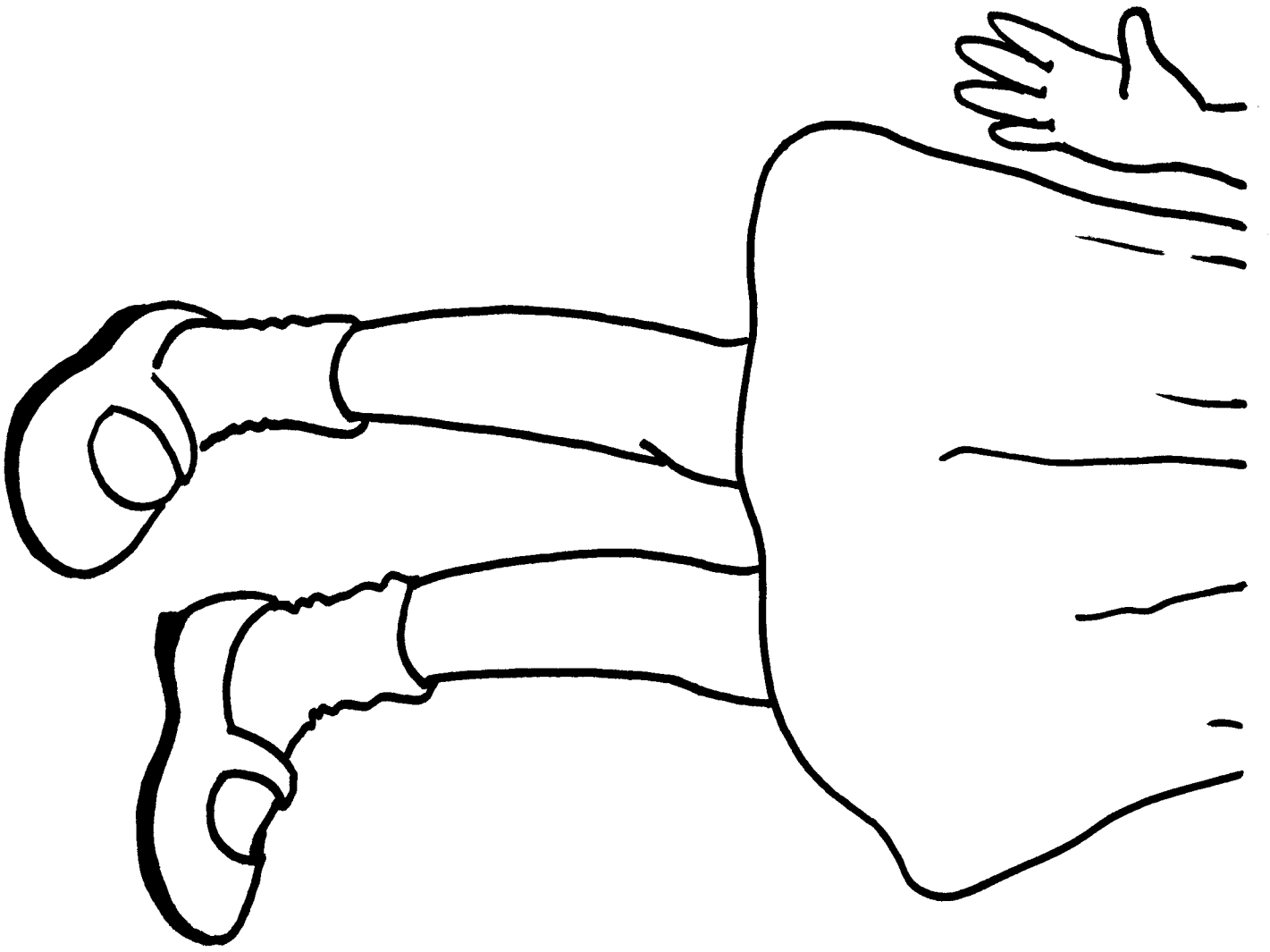
Remember patterns are not to be used for children's art projects!

Patterns may be use for teacher made puppets which children can use for story retelling. Patterns may be enlarged if preferred.

Suggested Activities:

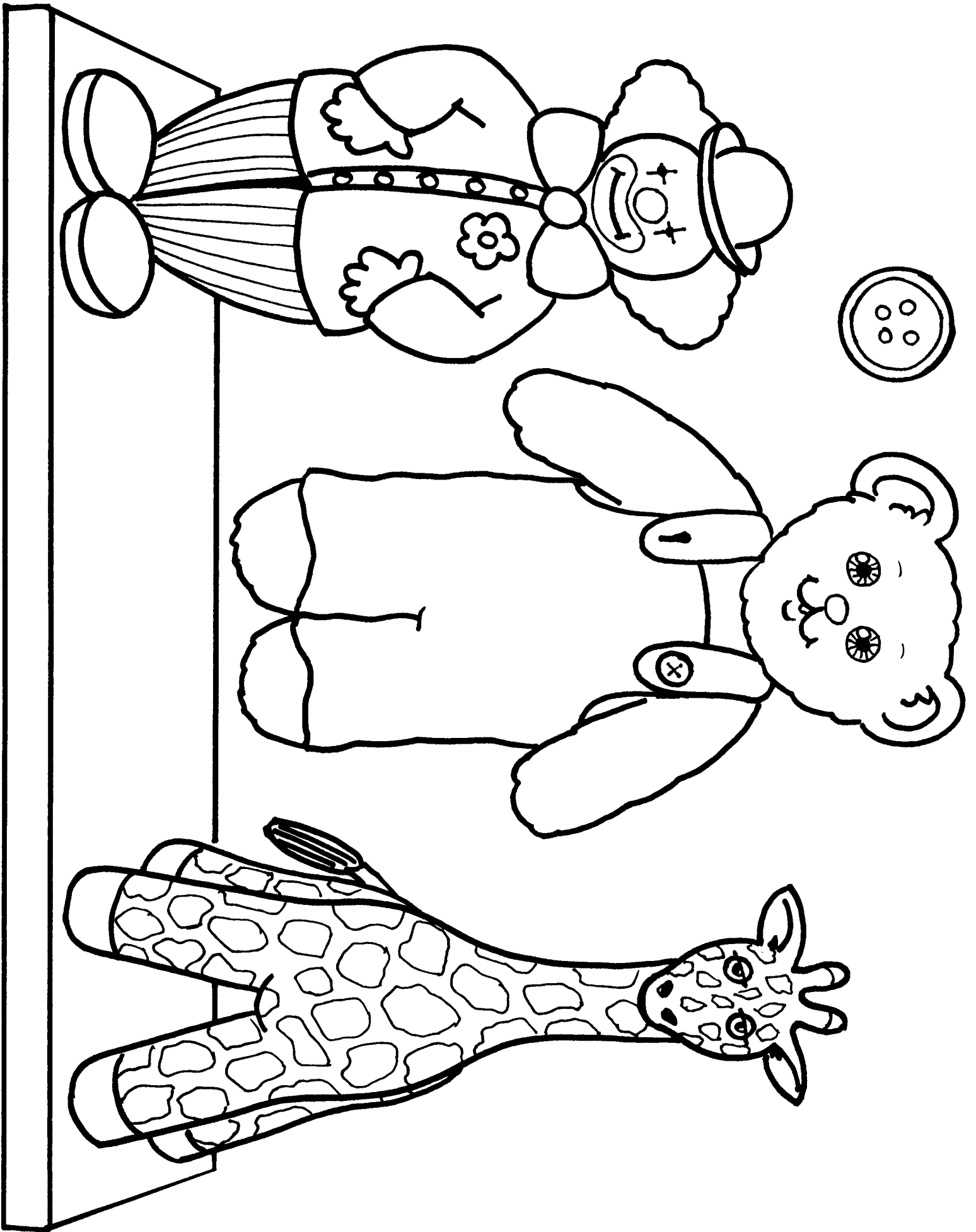
1. Take children on a "Corduroy Bear School Search" using clues left by Corduroy.
2. Taste and graph Teddy Grahams according to the children's favorites. Write a story (2 or 3 sentences) telling the results from the graph.
3. Allow children to bring a bear to class. Let the children share something they like to do with their bear.
4. Encourage children to draw a picture of their favorite toy (does not have to be a bear) and dictate a sentence about this toy.
5. Make a texture book with corduroy and other fabric textures. Children can describe how the fabrics feel.
6. Discuss with children: Pretend you are lost in a store, what should you do? List their ideas on a chart.

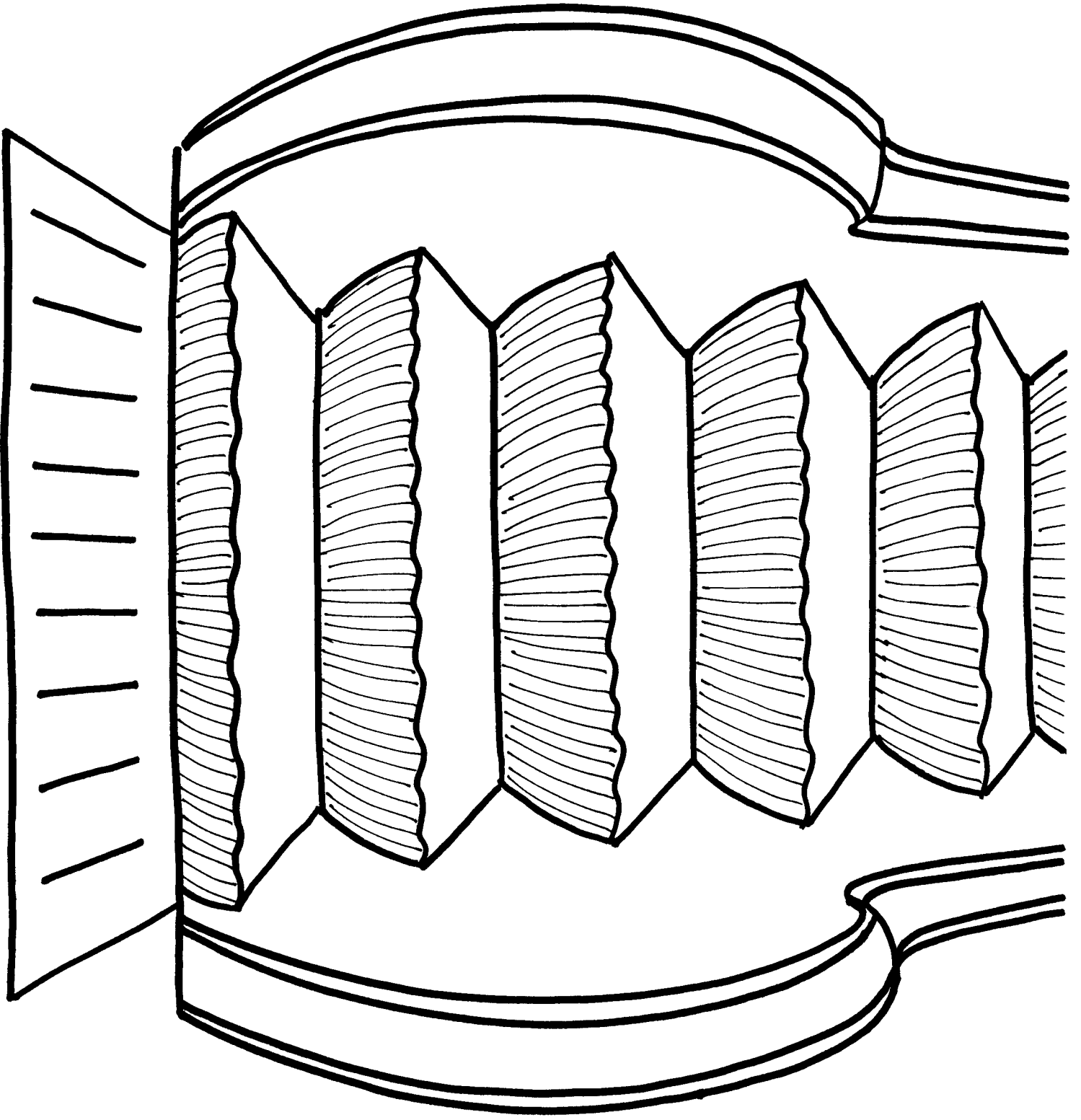


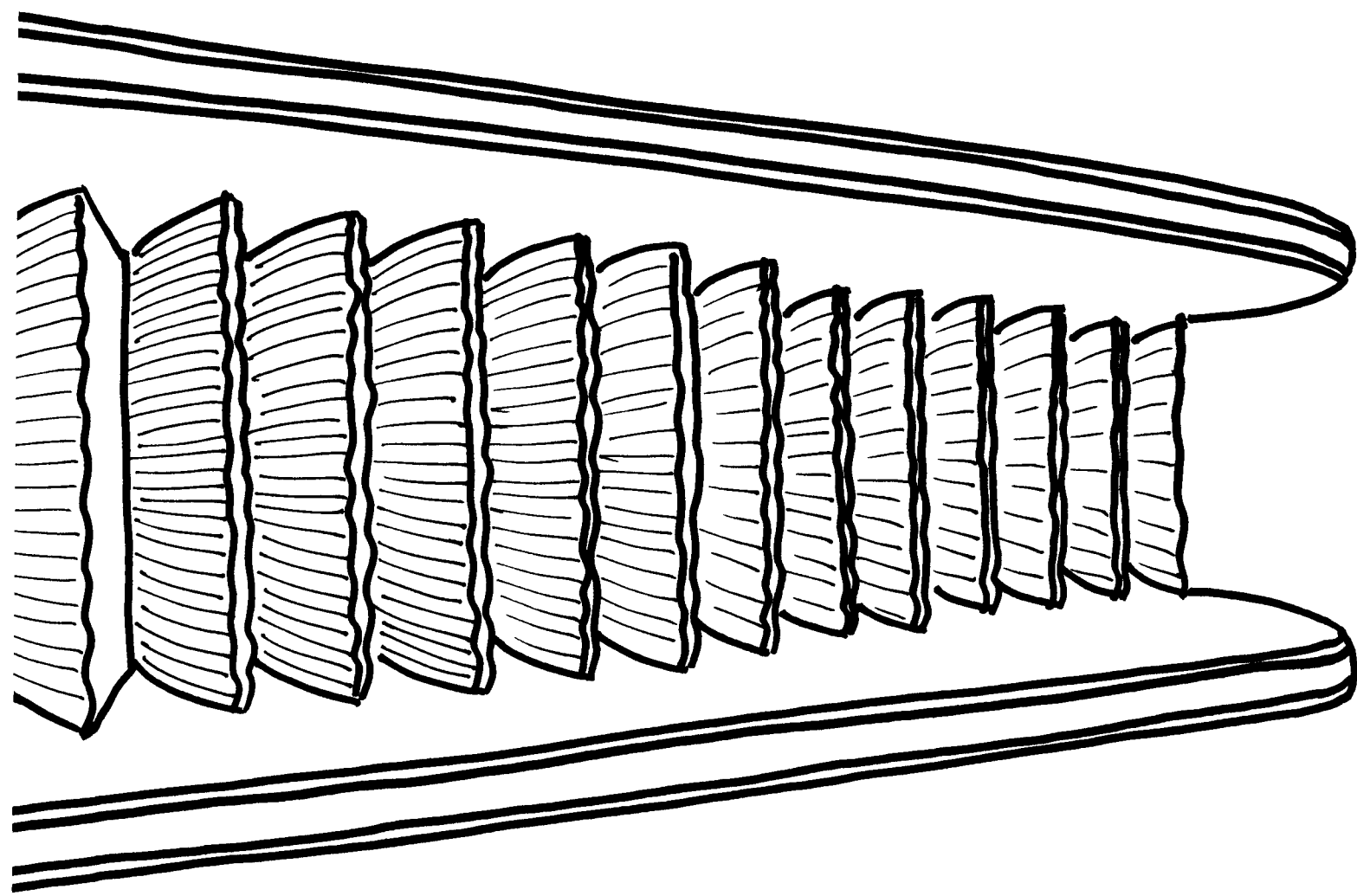


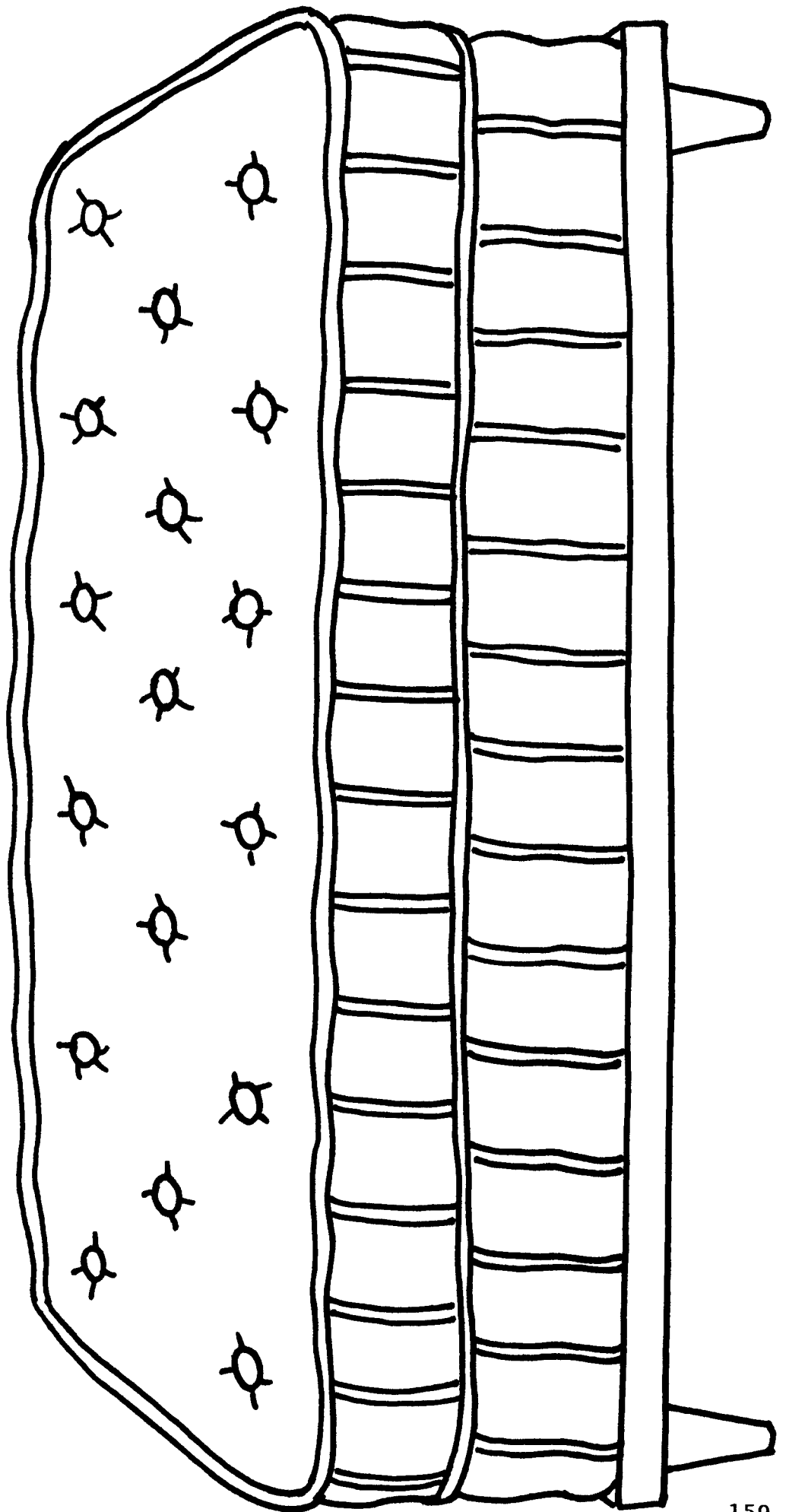


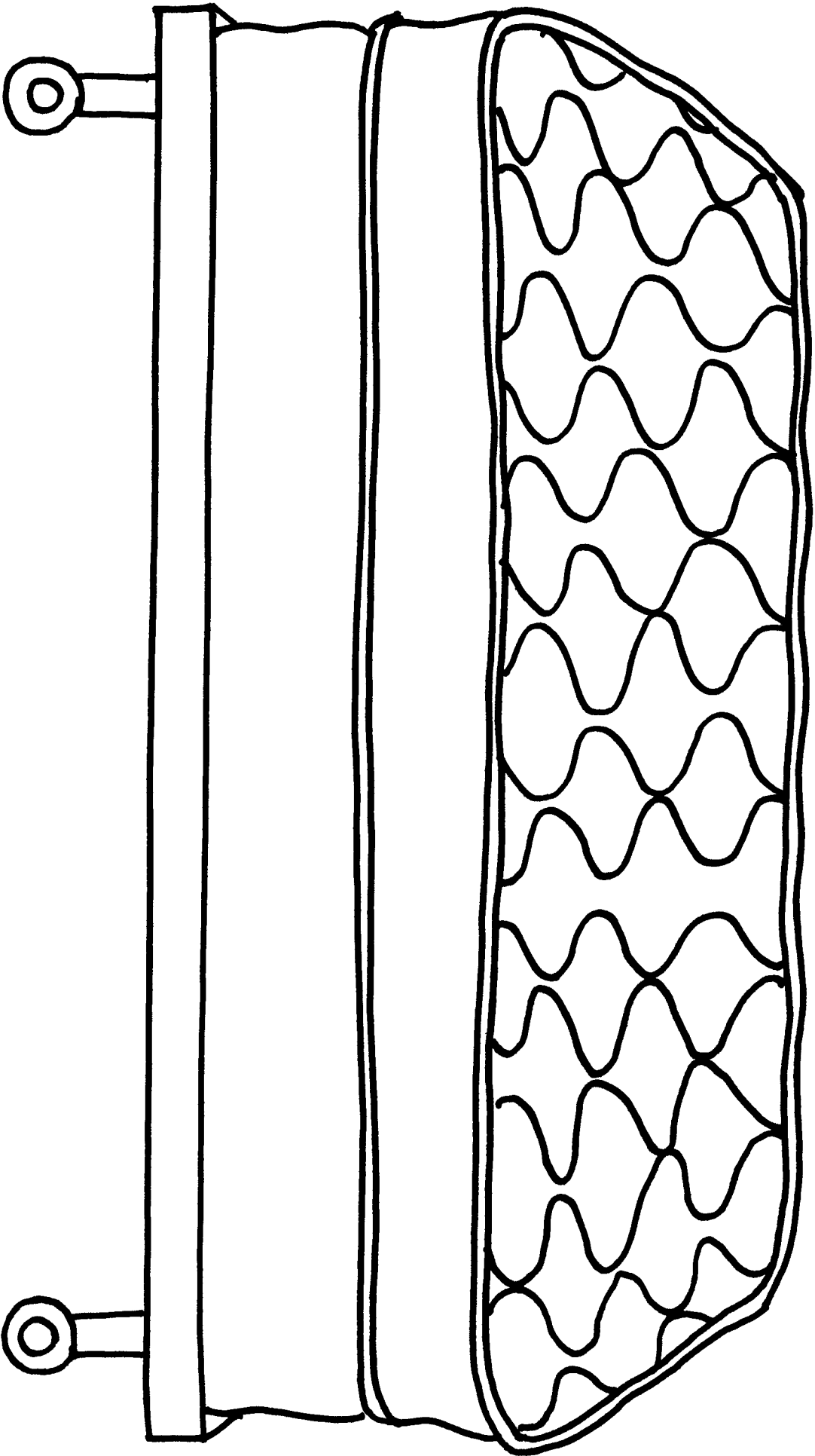


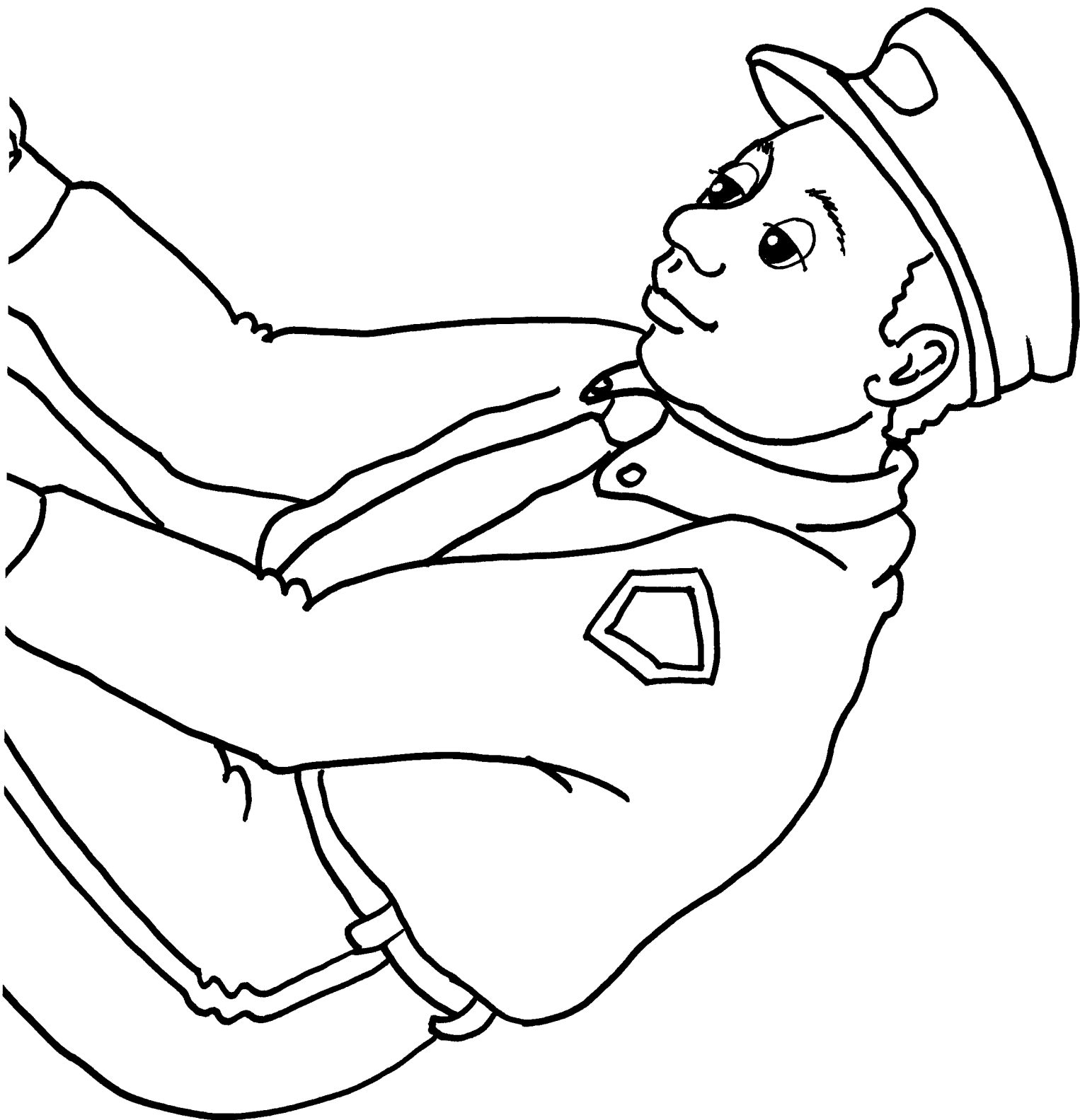


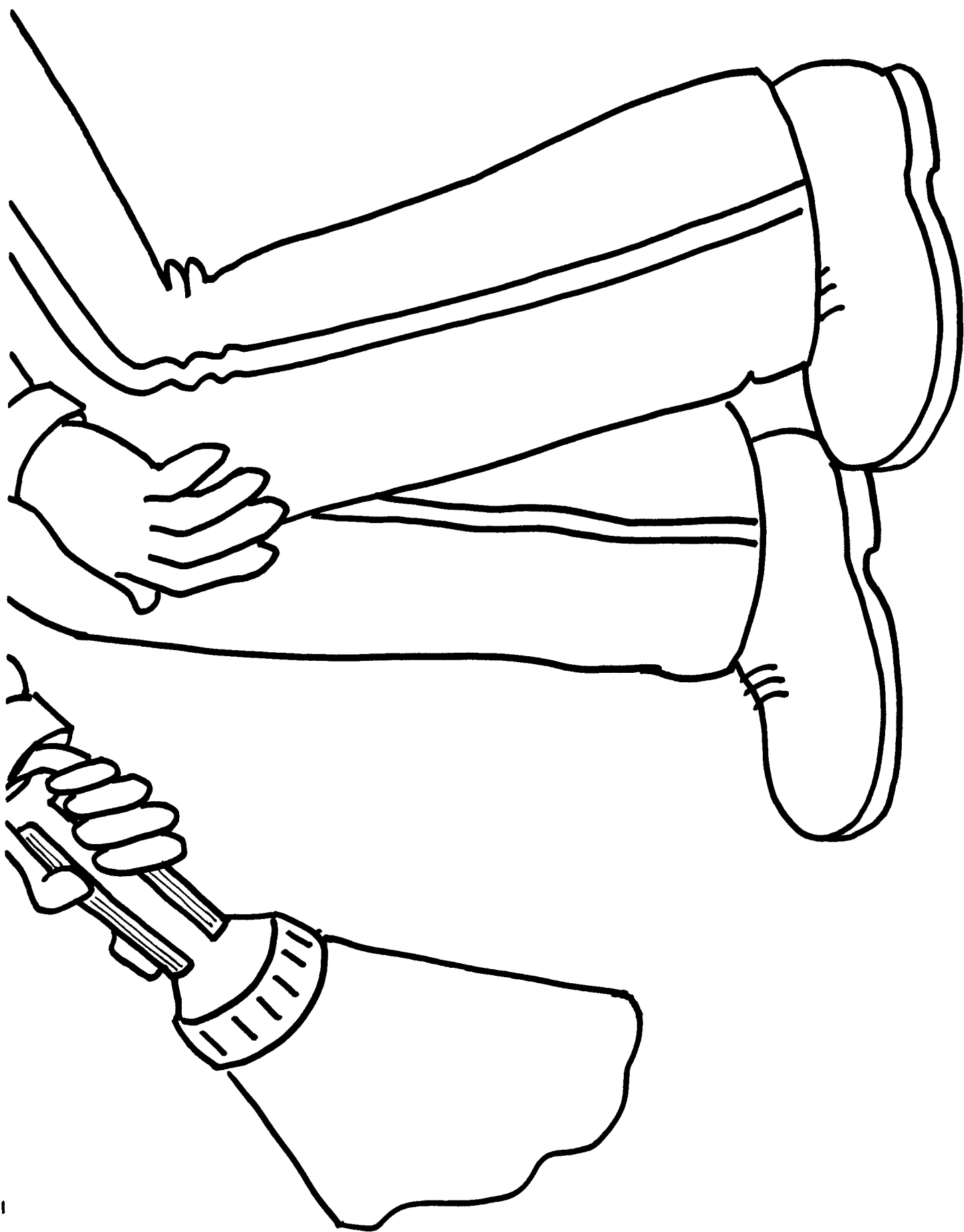


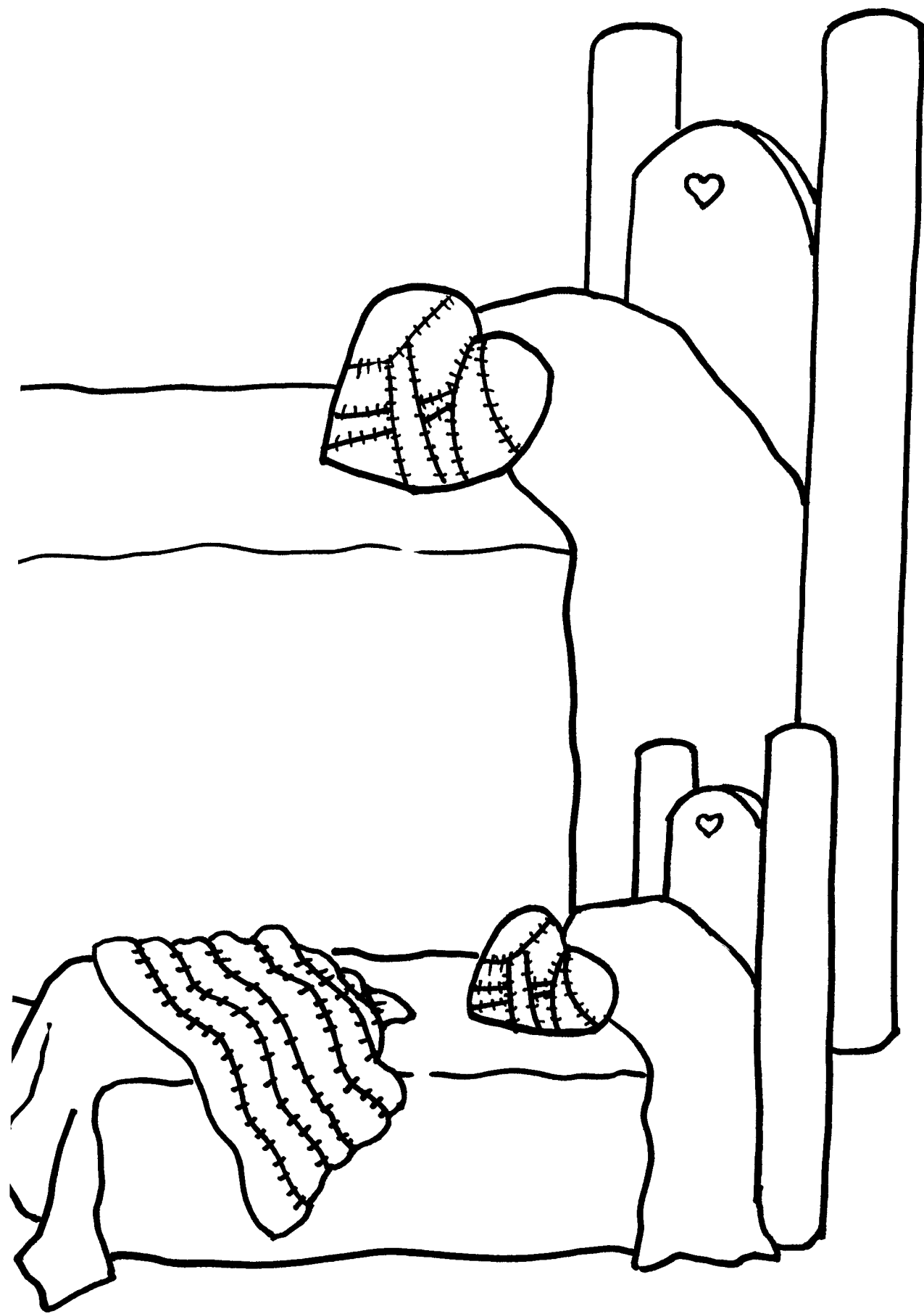


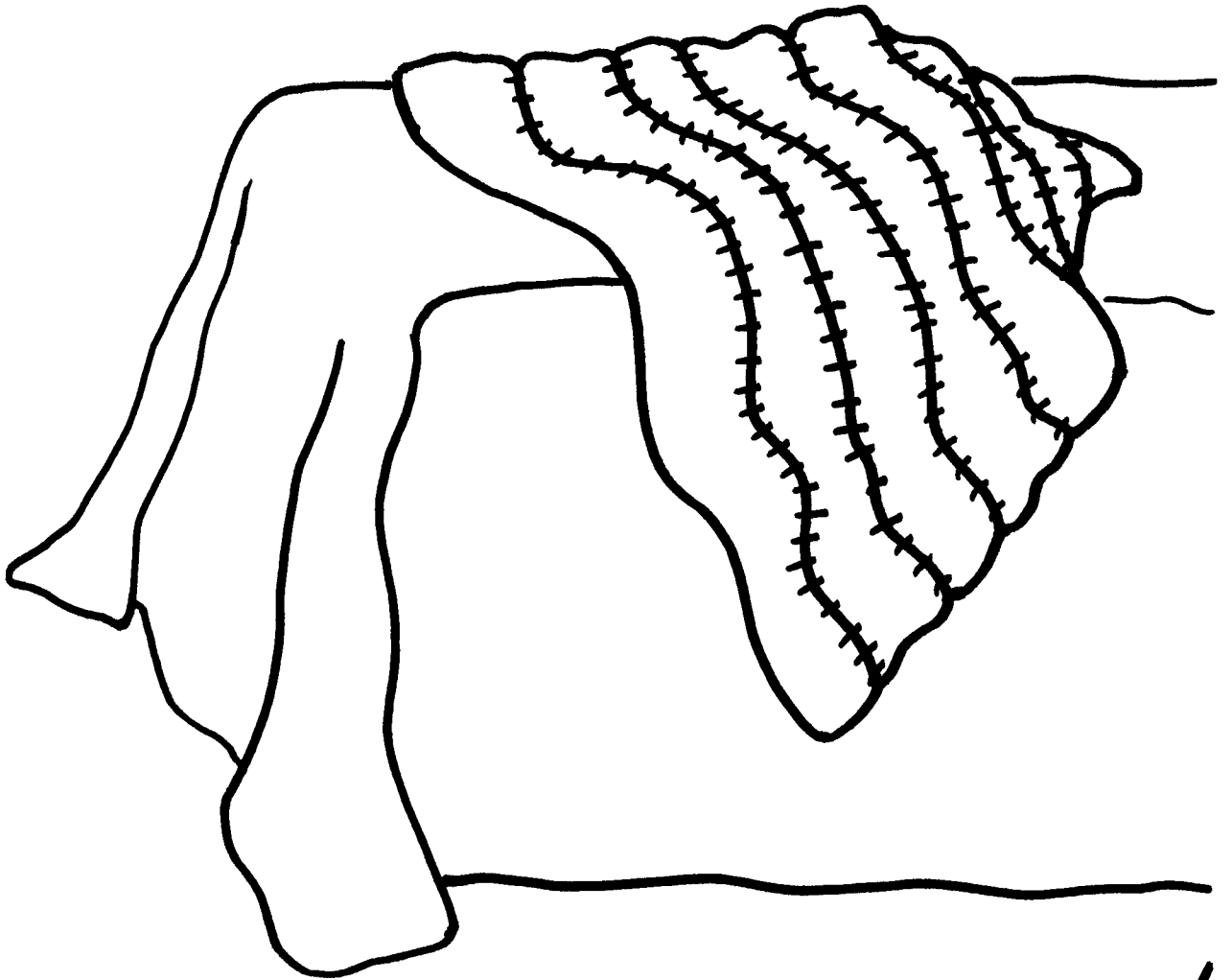












6